

Refrigerated Glass Door 1/1 Gastronorm Counters

700mm Depth With Coved Upstand

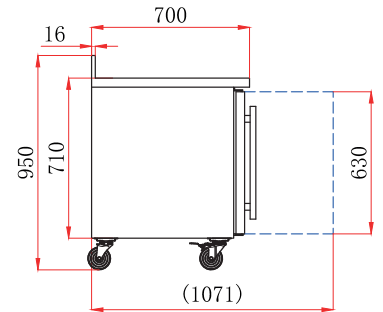
HBC2CR



HBC3CR



HBC4CR



FEATURES

- Stainless steel exterior & interior
- Even air distribution by ducted system
- Anodised aluminium framed glass doors
- Heavy duty castors as standard
- Coved 100mm upstand as standard
- Internal corners rounded for easy cleaning
- 1 x adjustable GN1/1 shelf per door
- Replaceable door gasket

TECHNICAL SPECIFICATIONS

- Controller: Dixell controller
- Cooling: Ventilated
- Defrost: Automatic
- Refrigerant: R290
- Climate Class: 4
- Temperature Range: +2°C ~ +8°C
- Power Supply: 13amp

MODEL	DOOR	GROSS CAPACITY	EXT. DIMENSIONS (H x W x D mm)	POWER CONSUMPTION	DECIBELS	WEIGHT (kg)	RRP
HBC2CR	2	282L	950* x 1360 x 700	215W	42dBA	128	
HBC3CR	3	417L	950* x 1795 x 700	230W	42dBA	154	
HBC4CR	4	553L	950* x 2230 x 700	345W	42dBA	185	

* includes 100mm upstand



See page 9 for full GN container range

