



FRIFRI SILOFRIT ELECTRIC COUNTER-TOP CHIP SCUTTLE - W 400  
MM - 1.0 KW

**MODEL: 650722**



silofrit

Keep chips and other fried food piping hot and in optimum condition with the FriFri Silofrit Counter Top Chip Scuttle. Food is heated both from above via an infra-red lamp, and below via the drain plate. Designed to be durable, the scuttle is made from 304 grade stainless steel and has a removable gastronorm and drain plate for easy cleaning.

A/A FILE NUMBER:

#### PRODUCT FEATURES

- Crisp, delicious, piping hot fries every time
- Fries are kept piping hot and crispy by the infrared lamp above, as well as the drain plate with attached element beneath
- For added convenience the removable gastronorm and drain plate can be cleaned in the dishwasher
- Manufactured in durable 304 grade stainless steel

ITEM NUMBER:



**FRIFRI SILOFRIT ELECTRIC COUNTER-TOP CHIP SCUTTLE - W 400  
MM - 1.0 KW**

**MODEL: 650722**

**WEIGHTS & DIMENSIONS**

Width	400 mm
Depth	620 mm
Height	540 mm
Weight	20.4 kg

**SHIPPING DETAILS**

Ship Width	73 cm
Ship Depth	54 cm
Ship Height	63 cm
Ship Weight	22.4 kg
Number of Shipment Parcels	1
Shipping Origin Zip Code	LN6 3QZ, UNITED KINGDOM
Quick Ship Product	No
Returnable Item	No

**PRODUCT CERTIFICATIONS**



**ENERGY SPECS**

Primary Energy Source Type	Electricity	Number of Electrical Conductor Wires	1
Electrical Amps	4.4	Electrical Connection Type	Cord and Plug
Electrical Voltage	230 volts	Electrical Plug Type	UK 3-Pin Plug
Electrical Watts	1000	Number of Electrical Plugs	1
Electrical Phase	Single	Dedicated Circuit Required	No
Kilowatts	1 kW	Energy Saving	No

**ADDITIONAL SPECIFICATIONS**

Control Type	Mechanical
Gastronorm Capacity	1 x GN1/1
Heated Base	Yes
Heated Gantry	Yes
Number of Pans	1
Sections	1
Style	Counter-Top Stations
Type of Lighting	Infrared

**BIDDING SPECIFICATIONS**

Bidding Specifications Not Available.

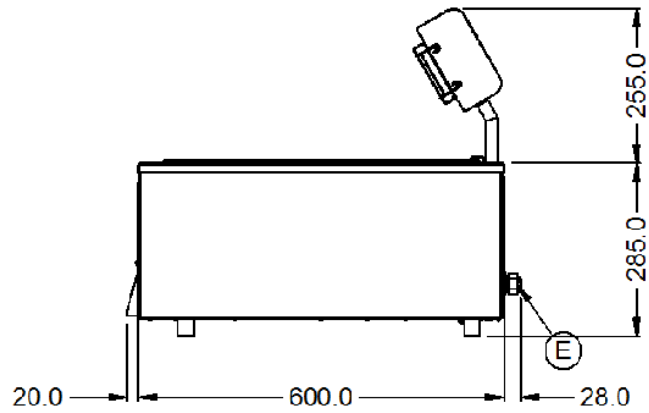
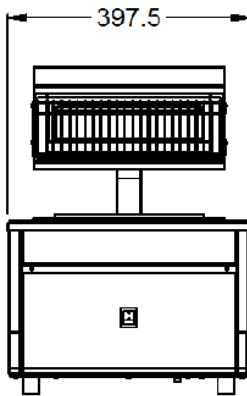
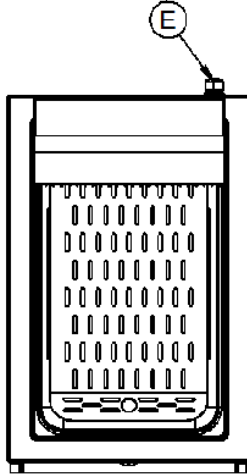




FRIFRI SILOFRIT ELECTRIC COUNTER-TOP CHIP SCUTTLE - W 400  
MM - 1.0 KW

MODEL: 650722

TECHNICAL DRAWING



Frifri reserves the right to modify specifications or discontinue models without incurring obligation. Dimensions nominal.

Document Auto-Generated  
January 23, 2024

