



FRIFRI FRITA 8 ELECTRIC COUNTER-TOP SINGLE TANK FRYER - 2 BASKETS - W 360 MM - 6.9 KW

MODEL: 652001



Perfect if you need to produce flawlessly fried food when space is at a premium, the durable FriFri 6.9kW Frita+ 8 Counter Top Fryer won't let you down. Safe and sturdy with a stainless steel tank, the fryer comes with two baskets and is also equipped with a mechanical thermostat for maintaining oil temperature and a rear-mounted slot-in lid that also acts as a splashback and basket support. The Frita+ 8 boasts the kind of quality that customers have come to expect from the FriFri brand for over 70 years.

A/A FILE NUMBER:

PRODUCT OPTIONS AND ACCESSORIES

- FZ101010 BASKET FOR PROFI / FRITA+ 8 - WITHOUT HANDLE

PRODUCT FEATURES

- A durable, efficient and well designed fryer that won't let you down
- Mechanical thermostat for maintaining oil temperature to within +/-8 °C of the temperature set
- Enhanced operator safety with front mounted control panel
- Rear-mounted slot-in lid that also acts as a splashback and basket support
- Safe and easy to use front valve for draining off used oil
- One piece pressed stainless steel tank with rounded corners for increased durability and reduced cleaning times

ITEM NUMBER:



FRIFRI FRITA 8 ELECTRIC COUNTER-TOP SINGLE TANK FRYER - 2 BASKETS - W 360 MM - 6.9 KW

MODEL: 652001

WEIGHTS & DIMENSIONS

Width	720 mm
Depth	475 mm
Height	455 mm
Weight	28 kg

SHIPPING DETAILS

Ship Width	74 cm
Ship Depth	54 cm
Ship Height	36 cm
Ship Weight	30.8 kg
Number of Shipment Parcels	1
Shipping Origin Zip Code	LN6 3QZ, UNITED KINGDOM
Quick Ship Product	No
Returnable Item	No

PRODUCT CERTIFICATIONS



ENERGY SPECS

Primary Energy Source Type	Electricity	Number of Electrical Conductor Wires	1
Electrical Amps	L1=10.0; L2=10.0; L3=10.0	Electrical Connection Type	Direct Hardwired
Electrical Voltage	400 volts	Electrical Plug Type	Hardwired
Electrical Watts	6,900	Number of Electrical Plugs	Not Applicable
Electrical Phase	Three	Dedicated Circuit Required	Yes
Kilowatts	6.9 kW	Energy Saving	No

ADDITIONAL SPECIFICATIONS

Auto Oil Top-Off	No	Number of Vats (batteries)	1
Basket Lift Type	Not Applicable	Total Oil Capacity (volume)	9.5 l
Control Type	Rotary Control Knob	Oil Reclamation	No
Food Production Rate	16.5kg fries - 7mm [frozen]	Oil Temperature Control	Mechanical
Fryer Type	Open Pot	Pumped Oil Filtration	No
Integrated Filtration	No	Split Pot	No
Number of Baskets	1	Temperature Maximum	190 °C
Number of Burners	Not Applicable	Temperature Minimum	150 °C
		Vat 1 Oil Capacity (volume)	9.5 l

FriFri reserves the right to modify specifications or discontinue models without incurring obligation. Dimensions nominal.

Document Auto-Generated
January 23, 2024





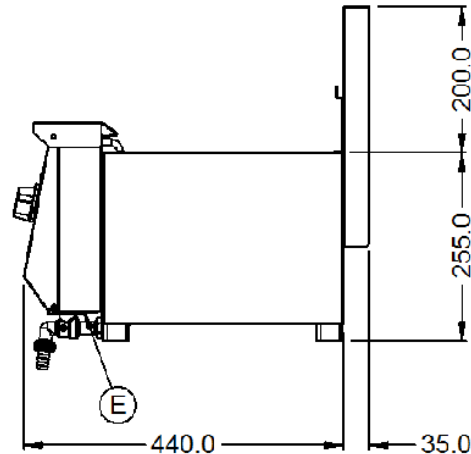
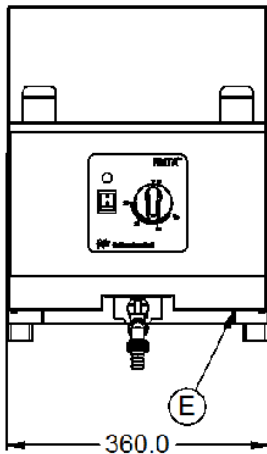
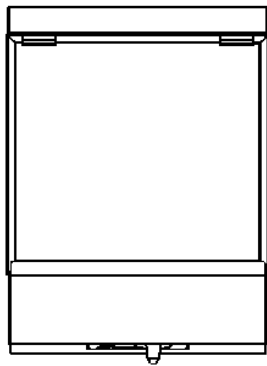
FRIFRI FRITA 8 ELECTRIC COUNTER-TOP SINGLE TANK FRYER - 2
BASKETS - W 360 MM - 6.9 KW

MODEL: 652001

BIDDING SPECIFICATIONS

Bidding Specifications Not Available.

TECHNICAL DRAWING



Frifri reserves the right to modify specifications or discontinue models without incurring obligation. Dimensions nominal.

Document Auto-Generated
January 23, 2024

