



## FRIFRI SILOFRIT 311 ELECTRIC BUILT-IN PASTA COOKER - 1 BASKET - W 300 MM - 7.5 KW

# MODEL: 690132/A700



Super+easy  
pasta

### PRODUCT OPTIONS AND ACCESSORIES

- DVC014ZR10 BASKET (FOR PASTA/PASTA M 311)
- FB2 PASTA BASKETS 6 SMALL WITH FRAME

### PRODUCT FEATURES

- Designed and built to ensure longer life in the harshest of conditions
- Enables you to cook all types of pasta reliably & consistently with great results
- High outputs of pasta enable you to keep pace with demand, even during peak periods
- Optional smaller baskets enable smaller portions to be cooked in constant rotation maximising output and efficiency
- Plumbed to fresh water supply and waste for quick, easy filling and drainage of tank
- Superior resistance to punishing salt and starch corrosion with a grade 316 stainless steel single pressed tank and corrosion resistant incoloy heating element
- Starch removal keeps water fresh for longer to ensure perfect results
- Two tilt position elements to aid draining and cleaning

A/A FILE NUMBER:

ITEM NUMBER:



# FRIFRI SILOFRIT 311 ELECTRIC BUILT-IN PASTA COOKER - 1 BASKET - W 300 MM - 7.5 KW

## MODEL: 690132/A700

### WEIGHTS & DIMENSIONS

Width	300 mil
Depth	630 mil
Height	875 mil
Weight	37 kg

### SHIPPING DETAILS

Ship Width	80 cm
Ship Depth	80 cm
Ship Height	72 cm
Ship Weight	40.7 kg
Number of Shipment Parcels	1
Shipping Origin Zip Code	LN6 3QZ, UNITED KINGDOM
Quick Ship Product	No
Returnable Item	No

### PRODUCT CERTIFICATIONS



### ENERGY SPECS

Primary Energy Source Type	Electricity	Number of Electrical Conductor Wires	1
Electrical Amps	L1=10.9; L2=10.9; L3=10.9	Electrical Connection Type	Direct Hardwired
Electrical Voltage	400 volts	Electrical Plug Type	Hardwired
Electrical Watts	7,500	Number of Electrical Plugs	Not Applicable
Electrical Phase	Three	Dedicated Circuit Required	Yes
Kilowatts	7.5 kW	Energy Saving	No

### ADDITIONAL SPECIFICATIONS

Auto Oil Top-Off	No	Mixing Valve	No
Capacity Volume	30 l	Number of Baskets	0
Control Type	Rotary Control Knob	Number of Vats (batteries)	1
Food Production Rate	14kg pasta - penne [fresh]	Oil Reclamation	No
Fryer Type	Flat Bottom	Overflow Prevention	Yes
Integrated Filtration	No	Water Fill	Automatic

### BIDDING SPECIFICATIONS

Bidding Specifications Not Available.

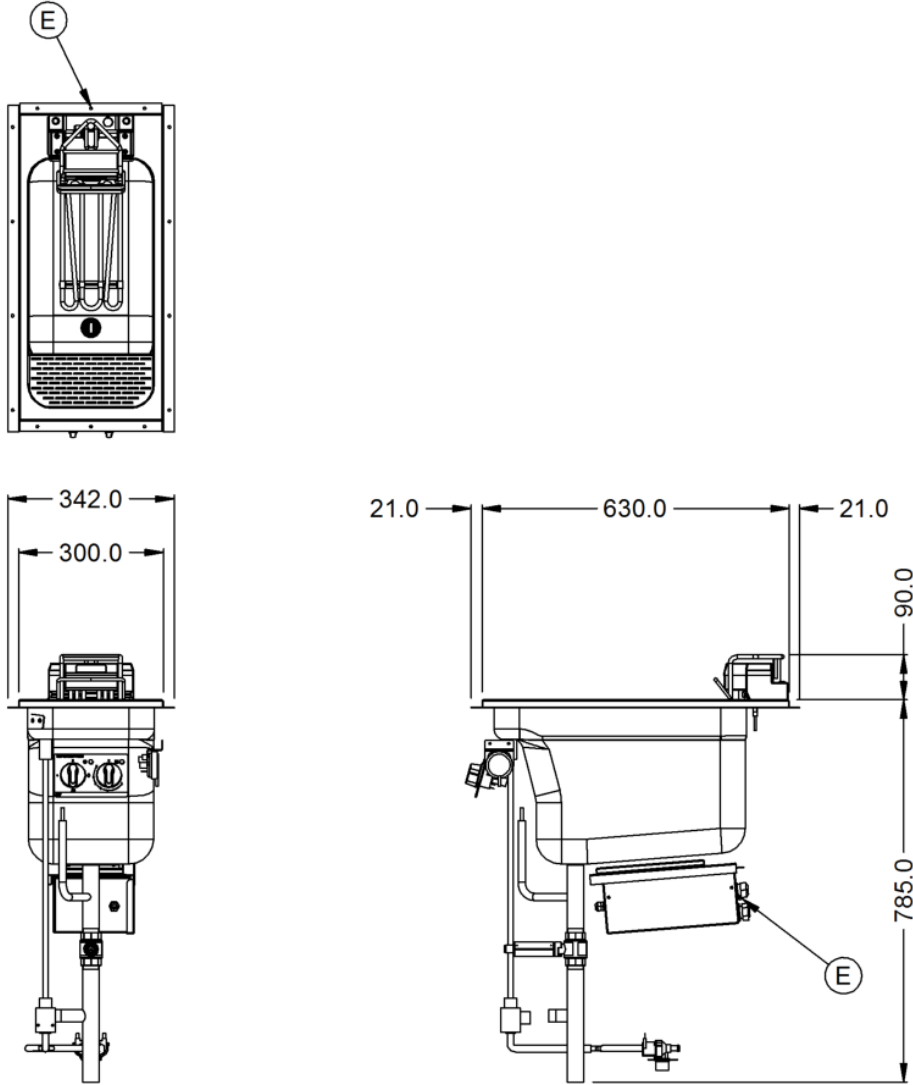




FRIFRI SILOFRIT 311 ELECTRIC BUILT-IN PASTA COOKER - 1  
BASKET - W 300 MM - 7.5 KW

MODEL: 690132/A700

TECHNICAL DRAWING



FriFri reserves the right to modify specifications or discontinue models without incurring obligation. Dimensions nominal.

Document Auto-Generated  
January 23, 2024

