



# IMC VULTURE 1604X FLOOR-MOUNTED FOOD WASTE DISPOSER - 3 PHASE [4 WIRE] [AIR BREAK] - W 514 MM - 4.0 KW

## MODEL: F54/728



**Vulture**

### PRODUCT OPTIONS AND ACCESSORIES

- E30/096 Hopper Rim for 1204/1204X/1604/1604X Food Waste Disposer

Fast and efficient, the 1604X Waste Disposer with airbreak is able to dispose of 900kg of food waste per hour and handles up to 1850 covers per sitting, making it ideal for larger hotels, hospitals, universities, prisons and food preparation companies.

An advanced version of the 1604 model, the 1604X is able to switch itself off to save energy and has an automatic rinse function, to prevent nasty odours.

It is suitable for tough waste - red meat bones, cauliflower stalks and fish skins. The free-standing unit can be welded into tabling with a E30/096 hopper rim, for quick loading.

### PRODUCT FEATURES

- Fast and efficient disposal of up to 900kg of food waste per hour.
- Handles up to 1850 covers per sitting - ideal for large kitchens.
- For tough waste (red meat bones, cauliflower stalks and fish skins).
- Free-standing design, but can be welded into tabling with E30/096 hopper rim.
- Manually reversible motor to extend operational life.
- Low-load cut-outs ensure energy and water efficiency.
- Fitted with a with class A airbreak kit, recommended for when connecting to a mains water supply.
- Suitable for large kitchens with three-phase, four-wire power supply.

A/A FILE NUMBER:

ITEM NUMBER:



# IMC VULTURE 1604X FLOOR-MOUNTED FOOD WASTE DISPOSER - 3 PHASE [4 WIRE] [AIR BREAK] - W 514 MM - 4.0 KW

## MODEL: F54/728

### WEIGHTS & DIMENSIONS

Width	514 mil
Depth	740 mil
Height	1014 mil
Weight	85.5 kg

### SHIPPING DETAILS

Ship Width	79 cm
Ship Depth	54 cm
Ship Height	105 cm
Ship Weight	94.05 kg
Number of Shipment Parcels	1
Ship Method	LTL Common Carrier
Shipping Origin Zip Code	LN6 3QZ, UNITED KINGDOM
Quick Ship Product	No

### PRODUCT CERTIFICATIONS



### ENERGY SPECS

Primary Energy Type	Electric	Number of Electrical Plugs	Not Applicable
Electrical Total Amperage	8.7 A	Electrical Connection Type	Direct Hardwired
Electrical Volts	400V	Number of Electrical Conductor Wires	1
Electrical Total Wattage	4000 W	Dedicated Circuit Required	Yes
Electrical Kilowatts	4 kW	Electrical Remarks	Three
Electrical Phase	3-Phase	Energy Saving	No
Electrical Plug Type	Hardwired		

### ADDITIONAL SPECIFICATIONS

Airbreak	Yes
Control Type	On/Off
Meal Waste Servings Processed Per Sitting	1850
Motor Power	5.4 hp
Operator Safety Method	Interlock
Self-Cleaning Capable	No
Waste Processing Capacity Per Hour: Weight	900 kg
Waste Types Processed	Tough (all red meat bones, cauliflower stalks, fish skins)

IMC reserves the right to modify specifications or discontinue models without incurring obligation. Dimensions nominal.

Document Auto-Generated  
July 02, 2024





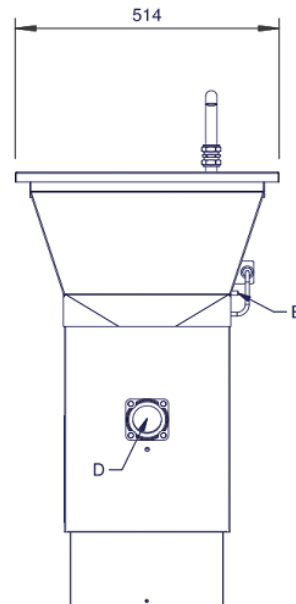
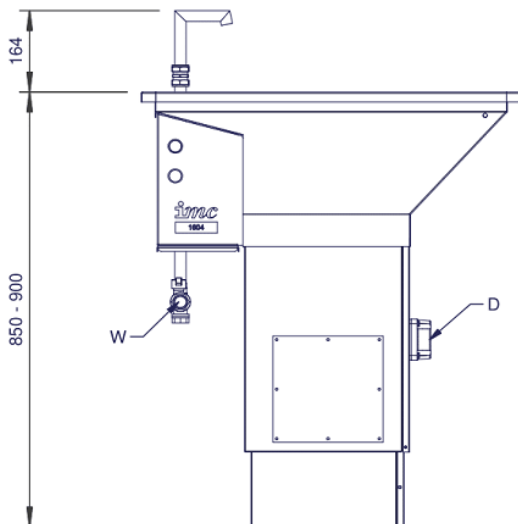
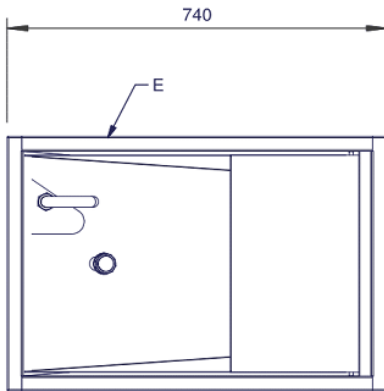
**IMC VULTURE 1604X FLOOR-MOUNTED FOOD WASTE DISPOSER -  
3 PHASE [4 WIRE] [AIR BREAK] - W 514 MM - 4.0 KW**

**MODEL: F54/728**

**BIDDING SPECIFICATIONS**

Bidding Specifications Not Available.

**TECHNICAL DRAWING**



IMC reserves the right to modify specifications or discontinue models without incurring obligation. Dimensions nominal.

Document Auto-Generated  
July 02, 2024

