



# IMC MF10L FREE-STANDING VEGETABLE PEELER - WITH CARBORUNDUM LINER - 3 PHASE - W 481 MM - 0.37 KW

## MODEL: F59/511/L



The versatile, energy-efficient MF10L (3PH) is the ideal peeler for medium to large kitchens with a three-phase power supply.

With a carborundum liner and thick peeling plate for long operating life, the MF10L (3PH) is able to peel up to 322kg of vegetables per hour - in 10kg batches - making it a cost-effective and labour-saving solution.

Easy to operate, the unit comes with an integral stand and removable filter basket. It has an interlocking lid and door for user safety. The MF10L (3PH) has a perspex viewing pane to monitor progress, and an adjustable timer for accurate,

### PRODUCT OPTIONS AND ACCESSORIES

- S59/164 Carborundum Peeling Plate for MF10/MF10L/MF15/MF15L Vegetable Peeler
- E72/011 Sink Skip - Stainless Steel - for MF10/MF10L/MF15/MF15L/VQ Peeler

### PRODUCT FEATURES

- Able to peel up to 322kg of vegetables per hour - in 10kg batches.
- With carborundum liner to reduce peeling times even further.
- Interlocking lid and door ensure safe operation.
- Perspex viewing pane allows you to monitor the peeling progress.
- Adjustable timer ensures accurate, repeatable peeling times.
- Modular construction facilitates easy maintenance.
- Thicker peeling plate delivers longer operating life.
- Suitable for medium to large kitchens with three-phase power supply.

AIA FILE NUMBER:

ITEM NUMBER:



# IMC MF10L FREE-STANDING VEGETABLE PEELER - WITH CARBORUNDUM LINER - 3 PHASE - W 481 MM - 0.37 KW

## MODEL: F59/511/L

### WEIGHTS & DIMENSIONS

Width	481 mil
Depth	633 mil
Height	1105 mil
Weight	52 kg

### SHIPPING DETAILS

Ship Width	68 cm
Ship Depth	51 cm
Ship Height	117 cm
Ship Weight	57.2 kg
Number of Shipment Parcels	1
Ship Method	Small Parcel (FedEx, UPS, DHL)
Shipping Origin Zip Code	LN6 3QZ, UNITED KINGDOM
Quick Ship Product	No

### PRODUCT CERTIFICATIONS



### ENERGY SPECS

Primary Energy Type	Electric	Number of Electrical Plugs	Not Applicable
Electrical Total Amperage	1.2 A	Electrical Connection Type	Direct Hardwired
Electrical Volts	400V	Number of Electrical Conductor Wires	1
Electrical Total Wattage	370 W	Dedicated Circuit Required	Yes
Electrical Kilowatts	0.37 kW	Electrical Remarks	Three
Electrical Phase	3-Phase	Energy Saving	No
Electrical Plug Type	Hardwired		

### ADDITIONAL SPECIFICATIONS

Airbreak	Yes
Control Type	On/Off, Rotary Control Knob
Hopper Load	10 kg
Motor Power	0.5 hp
Operator Safety Method	Interlock
Processing Capacity Per Hour	322 kg
Timer Type	Mechanical/Traditional Timer

IMC reserves the right to modify specifications or discontinue models without incurring obligation. Dimensions nominal.

Document Auto-Generated  
July 02, 2024



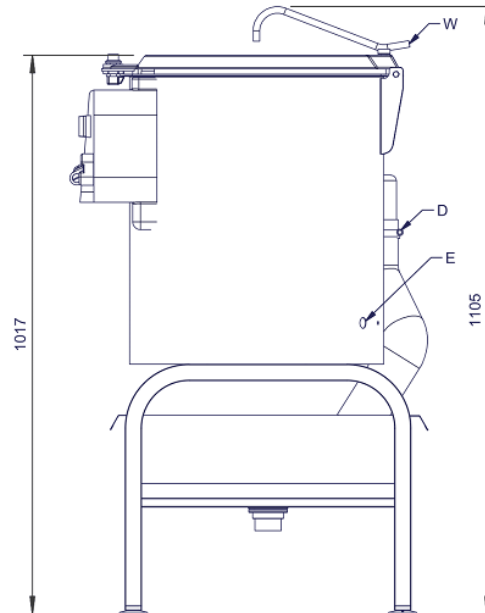
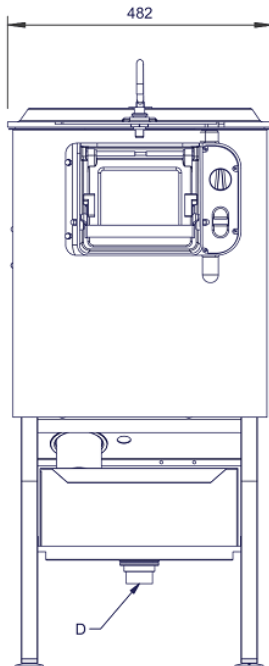
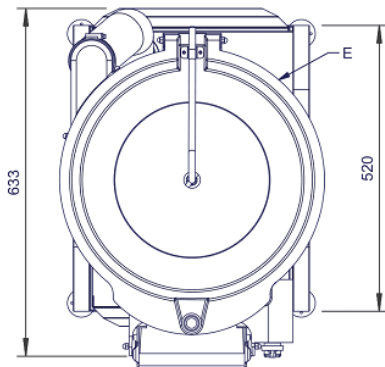
IMC MF10L FREE-STANDING VEGETABLE PEELER - WITH CARBORUNDUM LINER - 3 PHASE - W 481 MM - 0.37 KW

MODEL: F59/511/L

**BIDDING SPECIFICATIONS**

Bidding Specifications Not Available.

**TECHNICAL DRAWING**



IMC reserves the right to modify specifications or discontinue models without incurring obligation. Dimensions nominal.

Document Auto-Generated  
July 02, 2024

