



## IMC MF10 FREE-STANDING VEGETABLE PEELER - WITH ONION PLATE - 1 PHASE - W 481 MM - 0.37 KW

# MODEL: F59/710



**MF**  
MULTI-FUNCTIONAL  
PEELER

### PRODUCT OPTIONS AND ACCESSORIES

- S59/166 Onion Peeling Plate for MF10/MF15 Vegetable Peeler

The versatile, energy-efficient MF10 Onion Peeler (1PH) is the ideal onion peeler for medium to large kitchens with a single-phase power supply.

With a thick peeling plate for long operating life, the MF10 Onion (1PH) is able to peel up to 143.5kg of onions per hour in 10kg batches making it a cost-effective and labour-saving solution. For best results, we recommend onions are topped and tailed before peeling, and hand finished afterwards.

Easy to operate, the unit comes with an integral stand and removable filter basket. It has an interlocking lid and door for user safety. The MF10

### PRODUCT FEATURES

- Able to peel up to 143.5kg of onions per hour - in 10kg batches.
- Smooth stainless steel waste outlet prevents blockages and build-up of peelings.
- Interlocking lid and door ensure safe operation.
- Perspex viewing pane allows you to monitor the peeling progress.
- Adjustable timer ensures accurate, repeatable peeling times.
- Modular construction facilitates easy maintenance.
- Thicker peeling plate delivers longer operating life.
- Suitable for medium to large kitchens with single-phase power supply.

AIA FILE NUMBER:

ITEM NUMBER:



**IMC MF10 FREE-STANDING VEGETABLE PEELER - WITH ONION  
PLATE - 1 PHASE - W 481 MM - 0.37 KW**

**MODEL: F59/710**

**WEIGHTS & DIMENSIONS**

Width	481 mil
Depth	629 mil
Height	1105 mil
Weight	52 kg

**SHIPPING DETAILS**

Ship Width	68 cm
Ship Depth	51 cm
Ship Height	117 cm
Ship Weight	60.5 kg
Number of Shipment Parcels	1
Ship Method	Small Parcel (FedEx, UPS, DHL)
Shipping Origin Zip Code	LN6 3QZ, UNITED KINGDOM
Quick Ship Product	No

**PRODUCT CERTIFICATIONS**



**ENERGY SPECS**

Primary Energy Type	Electric	Number of Electrical Plugs	Not Applicable
Electrical Total Amperage	3.6 A	Electrical Connection Type	Direct Hardwired
Electrical Volts	230V	Number of Electrical Conductor Wires	1
Electrical Total Wattage	370 W	Dedicated Circuit Required	Yes
Electrical Kilowatts	0.37 kW	Electrical Remarks	Single
Electrical Phase	1-Phase	Energy Saving	No
Electrical Plug Type	Hardwired		

**ADDITIONAL SPECIFICATIONS**

Airbreak	Yes
Control Type	On/Off, Rotary Control Knob
Hopper Load	10 kg
Motor Power	0.5 hp
Operator Safety Method	Interlock
Processing Capacity Per Hour	143.5 kg
Timer Type	Mechanical/Traditional Timer

IMC reserves the right to modify specifications or discontinue models without incurring obligation. Dimensions nominal.

Document Auto-Generated  
July 02, 2024





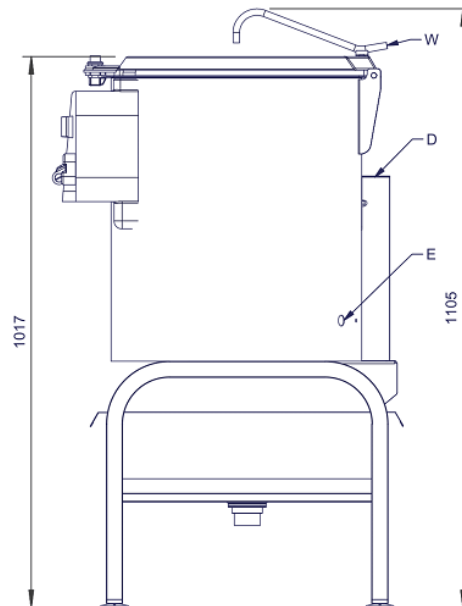
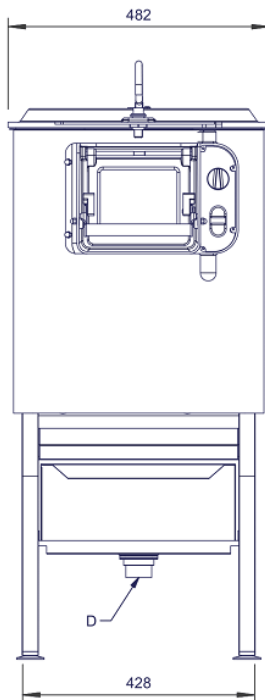
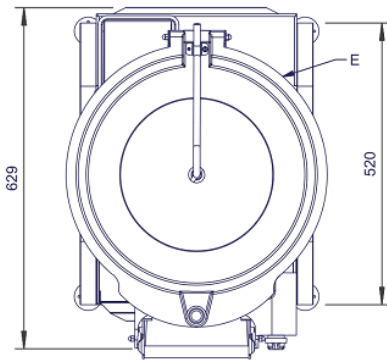
IMC MF10 FREE-STANDING VEGETABLE PEELER - WITH ONION  
PLATE - 1 PHASE - W 481 MM - 0.37 KW

MODEL: F59/710

**BIDDING SPECIFICATIONS**

Bidding Specifications Not Available.

**TECHNICAL DRAWING**



IMC reserves the right to modify specifications or discontinue models without incurring obligation. Dimensions nominal.

Document Auto-Generated  
July 02, 2024

