



IMC MF15 FREE-STANDING VEGETABLE PEELER - WITH ONION PLATE - 1 PHASE - W 481 MM - 0.37 KW

MODEL: F59/730



MF
MULTI-FUNCTIONAL
PEELER

PRODUCT OPTIONS AND ACCESSORIES

- S59/166 Onion Peeling Plate for MF10/MF15 Vegetable Peeler

The versatile, energy-efficient MF15 Onion Peeler (1PH) is the ideal onion peeler for medium to large kitchens with a single-phase power supply.

With a thick peeling plate for long operating life, the MF15 Onion (1PH) is able to peel up to 202kg of onions per hour in 15kg batches making it a cost-effective and labour-saving solution. For best results, we recommend onions are topped and tailed before peeling, and hand finished afterwards.

Easy to operate, the unit comes with an integral stand and removable filter basket. It has an interlocking lid and door for user safety. The MF15

PRODUCT FEATURES

- Able to peel up to 202kg of onions per hour - in 15kg batches.
- Smooth stainless steel waste outlet prevents blockages and build-up of peelings.
- Interlocking lid and door ensure safe operation.
- Perspex viewing pane allows you to monitor the peeling progress.
- Adjustable timer ensures accurate, repeatable peeling times.
- Modular construction facilitates easy maintenance.
- Thicker peeling plate delivers longer operating life.
- Suitable for medium to large kitchens with single-phase power supply.

AIA FILE NUMBER:

ITEM NUMBER:



**IMC MF15 FREE-STANDING VEGETABLE PEELER - WITH ONION
PLATE - 1 PHASE - W 481 MM - 0.37 KW**

MODEL: F59/730

WEIGHTS & DIMENSIONS

Width	481 mil
Depth	629 mil
Height	1171 mil
Weight	51.5 kg

SHIPPING DETAILS

Ship Width	68 cm
Ship Depth	51 cm
Ship Height	125 cm
Ship Weight	62.5 kg
Number of Shipment Parcels	1
Ship Method	Small Parcel (FedEx, UPS, DHL)
Shipping Origin Zip Code	LN6 3QZ, UNITED KINGDOM
Quick Ship Product	No

PRODUCT CERTIFICATIONS



ENERGY SPECS

Primary Energy Type	Electric	Number of Electrical Plugs	Not Applicable
Electrical Total Amperage	3.6 A	Electrical Connection Type	Direct Hardwired
Electrical Volts	230V	Number of Electrical Conductor Wires	1
Electrical Total Wattage	370 W	Dedicated Circuit Required	Yes
Electrical Kilowatts	0.37 kW	Electrical Remarks	Single
Electrical Phase	1-Phase	Energy Saving	No
Electrical Plug Type	Hardwired		

ADDITIONAL SPECIFICATIONS

Airbreak	Yes
Control Type	On/Off, Rotary Control Knob
Hopper Load	15 kg
Motor Power	0.5 hp
Operator Safety Method	Interlock
Processing Capacity Per Hour	202 kg
Timer Type	Mechanical/Traditional Timer

IMC reserves the right to modify specifications or discontinue models without incurring obligation. Dimensions nominal.

Document Auto-Generated
July 02, 2024





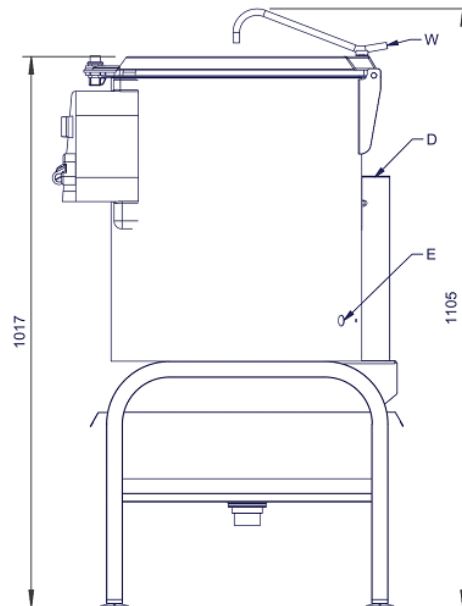
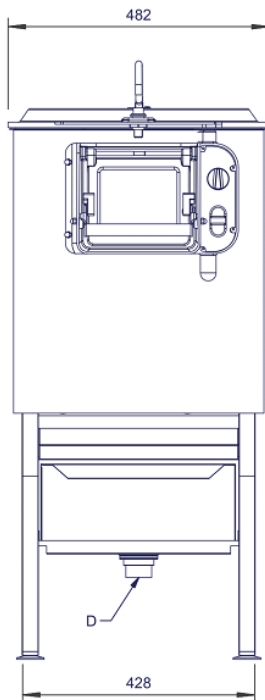
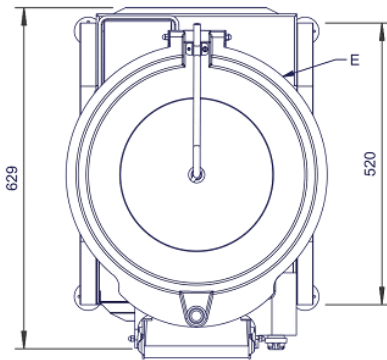
IMC MF15 FREE-STANDING VEGETABLE PEELER - WITH ONION
PLATE - 1 PHASE - W 481 MM - 0.37 KW

MODEL: F59/730

BIDDING SPECIFICATIONS

Bidding Specifications Not Available.

TECHNICAL DRAWING



IMC reserves the right to modify specifications or discontinue models without incurring obligation. Dimensions nominal.

Document Auto-Generated
July 02, 2024

