



## Installation, Operating and Servicing Instructions

Opus 800 Electric Direct Cook Chargrills  
OE8413, OE8414.

Please make a note of your product details for  
future use:

Date Purchased: \_\_\_\_\_

Model Number: \_\_\_\_\_

Serial Number: \_\_\_\_\_

Dealer: \_\_\_\_\_

\_\_\_\_\_

*Opus* **800**

# CONTENTS

Important Information	2
Warnings and Precautions	3
Technical Data	3
Checklist of Enclosures	3
Installation and Commissioning	4-5
Operating Instructions	5-6
Cleaning	7
Servicing, Maintenance and Component Replacement	7-8
Fault Finding	9
Spare Parts List	9
Accessories	9
Service Information and Guarantee	10

## IMPORTANT INFORMATION

---



Read these instructions carefully before using this product, paying particular attention to all sections that carry warning symbols, caution symbols and notices. Ensure that these are understood at all times.

---



### **WARNING!**

This symbol is used whenever there is a risk of personal injury.

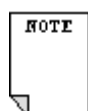
---



### **CAUTION!**

This symbol is used whenever there is a risk of damaging your Lincat product.

---



### **NOTE:**

This symbol is used to provide additional information, hints and tips.

---

**KEEP THIS MANUAL FOR FUTURE REFERENCE**

## WARNINGS AND PRECAUTIONS



This appliance must be installed, commissioned and serviced by a qualified person in accordance with national and local regulations in force in the country of installation.

If the supply cord is damaged, it must be replaced by the manufacturer, its service agent or similarly qualified person.

Ensure that the plug/socket is accessible at all times.

Strip plastic coating and clean the appliance before use.

During operation parts may become hot - avoid accidental contact.

Disconnect this appliance before servicing, maintenance or cleaning.

## TECHNICAL DATA

	<b>OE8413</b>	<b>OE8414</b>
Height (mm)	400	400
Width (mm)	600	900
Depth (mm)	800	800
Weight (kg)	58.1	78.5
Power Rating (kW)	8.4	13.44
Supply 3N~+E 400V 50-60Hz Current (A)	L1 11 L2 11 L3 15	L1 15 L2 22 L3 22

## CHECK LIST OF ENCLOSURES

Warranty card
Instructions manual
Splashguard
Removable inner tank
Slip stop washers x 2
Scraper

# INSTALLATION AND COMMISSIONING

This appliance must be earthed.



An equipotential bonding terminal is provided to allow cross bonding with other equipment.

If replacing the plug connect the terminals as follows:

- Green and Yellow wire    Earth    E
- Blue wire                    Neutral    N
- Brown wire                  Live        L

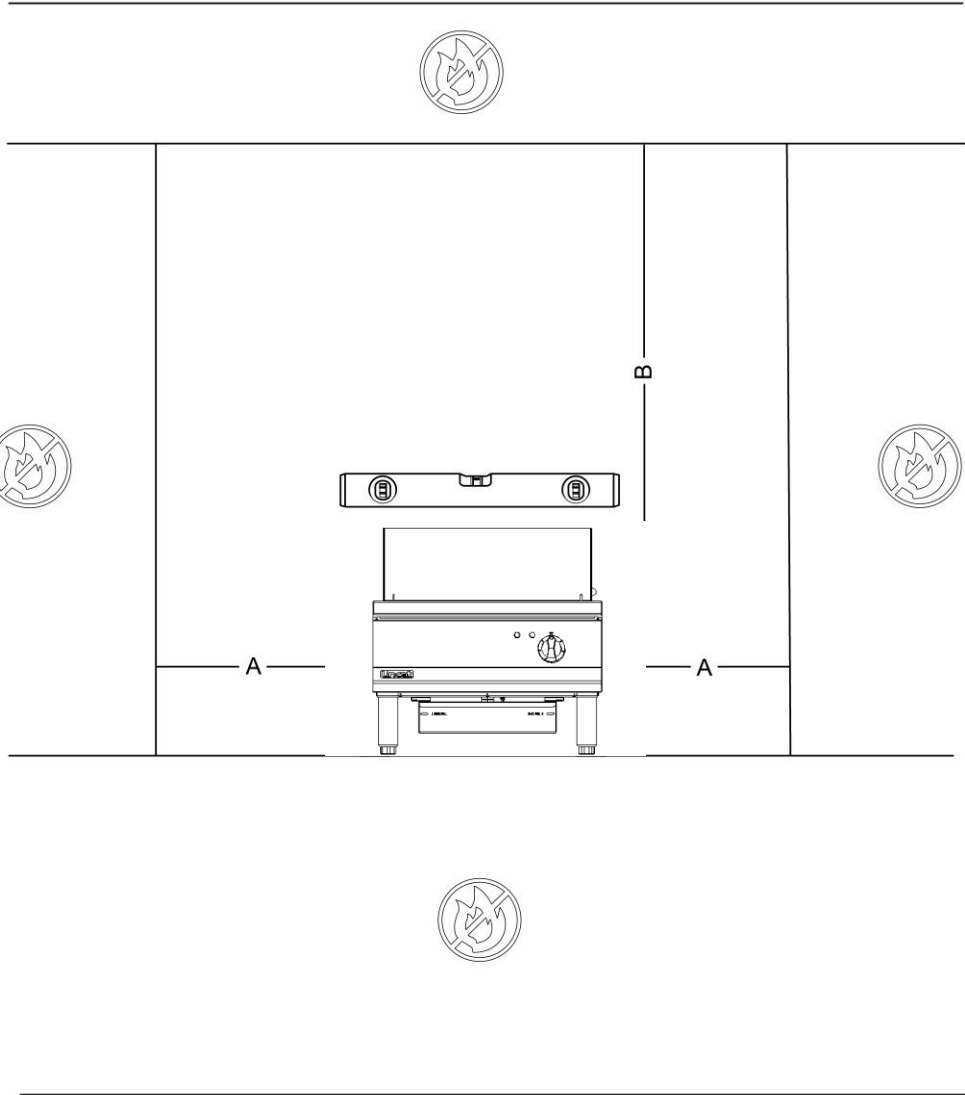


Fig 1

Means of isolation with at least 3mm contact separation in all poles must be incorporated into the fixed wiring of this appliance.

The fixed wiring insulation must be protected by insulated sleeving having a temperature rating of at least 60 Deg C.

Supply cords shall be oil resistant, sheathed flexible cable not lighter than ordinary polychloroprene or equivalent elastomer sheathed cord (code 60245 IEC 57)

Install this appliance on a level surface ensuring all vents are unobstructed. Any partitions, walls or furniture must be of non-combustible material. Minimum distances A 100mm B 1000mm see Fig 1.

Ensure there is a space of at least (1000 mm) between the working surface and any ceiling.

Install this appliance beneath an extraction canopy.

Connection of the supply cable is behind the access panel on the rear of the appliance. Remove the access panel and fit a suitable cable through the cable gland to the terminal block.

Anti-slip washers are provided to create a slip free pocket for the front feet, so preventing movement during operation. Ensure the work surface is structurally safe before installing the washers.

## OPERATING INSTRUCTIONS

Only qualified or trained personnel should use this appliance.

This appliance should not be operated unattended.

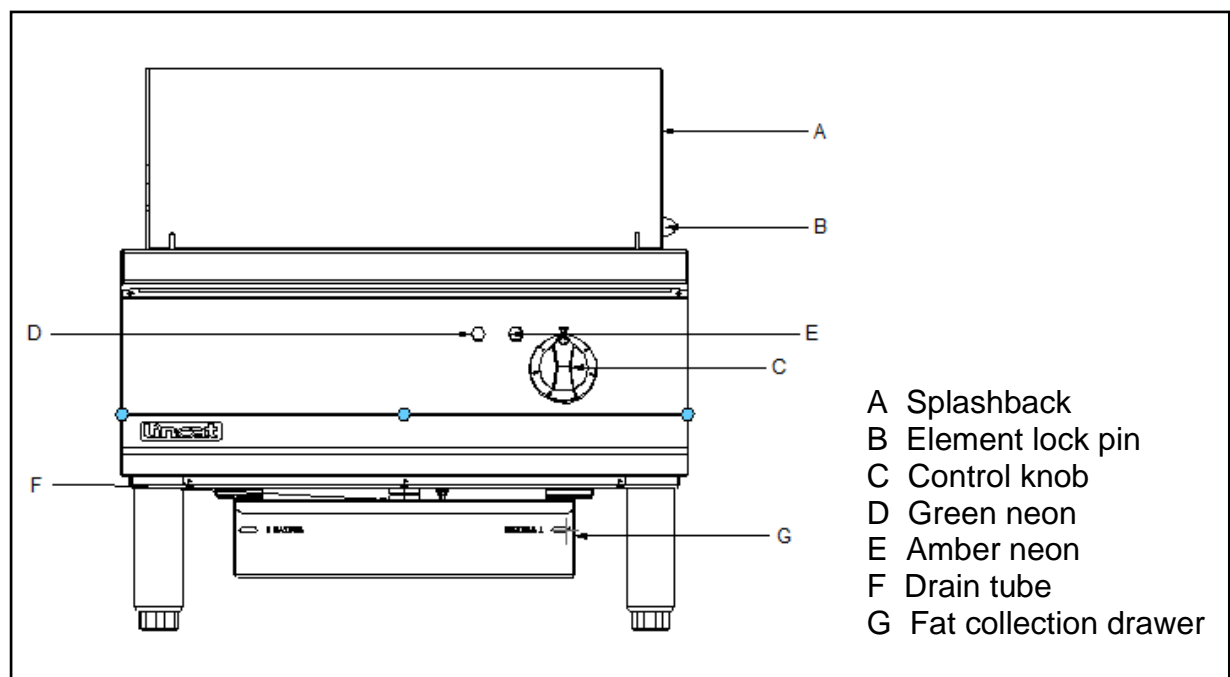


Fig 2

## Operating and controls

Switch on the power supply at the isolating switch the green neon will illuminate.

OE8413 The branding plates create one large cooking zone.

OE8414 The branding plates create one large cooking zone, divided into two equal areas, each independently controlled.

Turn the control knobs to the desired setting. On settings 1-5 the elements will cycle to maintain the temperature. On setting 6 the elements remain on constantly.

**Note: Position 6 should only be used for cleaning due to the extreme temperatures at this position.**

The amber neon will illuminate when the heating element is on.

Do not leave the chargrill running on a high setting for prolonged periods when not cooking. If it is considered desirable to maintain element heat under these conditions, it is important to turn down the control to a low setting. This can contribute to energy saving.

Ensure the fat collection drawer or suitable receptacle is placed directly below the drain hole to capture any grease or food debris.

and turn off the electrical supply.

To raise the elements remove the splashguard. Lift from the front close to the element support bar using the tool provided. Lift the element to the vertical position. Ensure that the element securing pins lock them in place.

### **Ensure elements are cold before raising**

Ensure the removable tank is fitted before lowering. To lower elements, holding the element vertical pull the element securing pin horizontally. With the pin released, slowly lower element and release the pin. Place the element back down into its horizontal position.

**Note: the removable tank supports are different heights the lower support should be at the rear of the unit.**

## **CLEANING**

Do not use a water jet or steam cleaner, and do not immerse this appliance.

Clean all panels with warm water and mild detergent, do not use abrasive materials. Dry with a soft cloth.

Turn the control to maximum position and allow to run for approximately 15 minutes.

Due to the extreme temperature of the elements at this position, most food debris should carbonize and fall off the elements.

Scrape off any debris that may be left using the element tool provided.

Before cleaning by hand ensure the unit is completely turned off and the elements are cold.

Elements can be cleaned with a cloth and hot soapy water.

The splashguard is removable for cleaning.

The inner element support tank is removable for cleaning. To access the removable tank raise the element to the vertical position.

Remove any food debris from the tank and pour a quantity of warm soapy water into the tank to assist with draining.

Debris will collect behind the removable tank. Ensure any debris is also removed on a daily basis and the outer tank is clean.

Do not use abrasive materials or any products containing chlorine or hydrochloric acid. Dry with a soft cloth.

Lower the elements and replace all removable parts correctly.

## **SERVICING, MAINTENANCE AND COMPONENT REPLACEMENT**

and care for your product and follow maintenance instructions. If you fail to maintain your unit or damage components Lincat may charge you for a warranty repair. Please check the website for terms and conditions.

All servicing, maintenance and component replacement on this appliance should be carried out by one of our recommended service engineers.

## **Routine Service**

Carry out a general check of the installation paying particular attention to the following:

The suitability of the supply cable.

The installation of isolation points for electricity and water.

The correct operation of all components.

Non leakage of the tank

## **Component replacement**

### **Element**

Remove the screws securing the element to the lifting box.

Disconnect the electrical terminals, marking each to assist with reassembly.

Reverse the above procedure to reassemble the appliance.

### **Cut out switch in lifting box**

Remove the screws securing the element to the lifting box.

Move the element forward to gain access to the cut out switch.

Remove the cables and transfer to the new switch.

Remove the old switch and reassemble by reversing the above sequence.

### **Neon**

Remove the screws securing the fascia to the base panel and hobtop. Free the fascia by pulling towards you from the bottom.

Remove the cables from the neon and free the neon by unscrewing the retaining nut.

Fit new neon and reverse the above procedure to reassemble.

### **Energy regulator**

Remove the fascia as detailed for neon replacement above.

Disconnect cables from the energy regulator terminals and fit to new regulator.

Unscrew the old regulator and refit the new regulator by reversal of the above procedure.



## Contactor

Remove the rear access panel to gain access to the contactor.

Unclip the contactor from the bracket.

Transfer the cables one at a time to the new contactor using a thin screwdriver to release the wiring clamps.

Refitting is the reversal of removal.

## FAULT FINDING

Please refer to the Service Help Desk number on the final page of this manual.

## SPARE PARTS LIST

Part Number	Description	Used on
EL333	Element	OE8413
EL334	Element	OE8414
CO264	Contactor	
EN10	Energy regulator	OE8413, OE8414
KN511	Control knob	
NE46	Green neon	
NE47	Amber neon	

## ACCESSORIES

Part Number	Description	Used on
OA8989	Holding shelf	OE8413
OA8990	Holding shelf	OE8414
OA8972	Pedestal with doors	OE8413
OA8973	Pedestal with doors	OE8414
OA8972/C	Pedestal with doors with castors	OE8413
OA8973/C	Pedestal with doors with castors	OE8414
OA8991	Floor stand	OE8413
OA8992	Floor stand	OE8414
OA8991/C	Floor stand with castors	OE8413
OA8992/C	Floor stand with castors	OE8414
OA9002	Condiment holder	OE8413
OA9003	Condiment holder	OE8414

## SERVICE INFORMATION

For help with the installation, maintenance and use of your **Lincat** equipment, please contact our service department:

**☎ UK: 01522 875520**

For non-UK customers, please contact your local Lincat dealer

All service work, other than routine cleaning should be carried out by one of our authorised service agents. We cannot accept responsibility for work carried out by other persons.

To ensure your service enquiry is handled as efficiently as possible, please tell us:

- Brief details of the problem
  - Product code
  - Type number
  - Serial number
- } All available on serial plate

Lincat reserve the right to carry out any work under warranty, given reasonable access to the appliance, during normal working hours, Monday to Friday, 08:30 to 17:00.

### GUARANTEE

This unit carries a comprehensive UK mainland 2 year warranty. The guarantee is in addition to, and does not diminish your statutory or legal rights.

The guarantee does not cover:

- instructions
- Consumable items (such as filters, glass, bulbs, slot toaster elements and door seals.)
- Damage due to incorrect installation, modification, unauthorised service work or damage due to scale, food debris build-up, etc.

The manufacturer disclaims any liability for incidental, or consequential damages. Attendance is based on reasonable access to the appliance to allow the authorised technician to carry out the warranty work.

Service calls to equipment under warranty will be carried out in accordance with the conditions of sale. Unless otherwise specified, a maximum of 15 minutes of administrative time, not spent directly carrying out servicing work, is provided for within the warranty. Any requirement for staff attending the call to spend greater time than 15 minutes due to administrative requirements, such as on health and safety risk assessments, will be chargeable at the prevailing rate