



Installation, Operating and Servicing Instructions

Seal Heated Display Bars HB1, HB2, HB3, HB4, LD2, LD3, LD4

Please make a note of your product details for
future use:

Date Purchased: _____

Model Number: _____

Serial Number: _____

Dealer: _____

The SEAL logo is rendered in a bold, blue, sans-serif font. The letters are thick and have a slight 3D effect with a darker blue shadow on the right side.

CONTENTS

Important Information	2
Warnings and Precautions	3
Technical Data	3
Checklist of Enclosures	3
Installation and Commissioning	4-5
Operating Instructions	6
Cleaning	7
Servicing, Maintenance and Component Replacement	7
Fault Finding	7
Spare Parts List	8
Accessories	8
Service Information and Guarantee	9

IMPORTANT INFORMATION



Read these instructions carefully before using this product, paying particular attention to all sections that carry warning symbols, caution symbols and notices. Ensure that these are understood at all times.



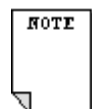
WARNING!

This symbol is used whenever there is a risk of personal injury.



CAUTION!

This symbol is used whenever there is a risk of damaging your Lincat product.



NOTE:

This symbol is used to provide additional information, hints and tips.

KEEP THIS MANUAL FOR FUTURE REFERENCE

WARNINGS AND PRECAUTIONS



This appliance must be Installed, Commissioned and Serviced by a qualified person in accordance with national and local regulations in force in the country of installation.

If the supply cord is damaged, it must be replaced by the manufacturer, its service agent or similarly qualified person.

Ensure that the plug/socket is accessible at all times.

Strip plastic coating and clean the appliance before use.

During operation parts may become hot - avoid accidental contact.

Disconnect this appliance before servicing, maintenance or cleaning.

TECHNICAL DATA

Model	Height (mm)	Width (mm)	Depth (mm)	Weight (kg)
HB1	115	381	531	7
HB2	115	754	531	11
HB3	115	1094	531	15
HB4	115	1434	531	19
LD2	562	790	538	18
LD3	562	1130	538	24
LD4	562	1470	538	30

CHECK LIST OF ENCLOSURES

Warranty card
Instructions manual
Glass sneeze screen (LD models)
Sneeze screen fixing kit (LD models)

INSTALLATION AND COMMISSIONING

This appliance must be earthed.



An equipotential bonding terminal is provided to allow cross bonding with other equipment.

If replacing the plug connect the terminals as follows:

Green and Yellow wire	Earth	E
Blue wire	Neutral	N
Brown wire	Live	L

Supply cords shall be oil resistant, sheathed flexible cable not lighter than ordinary polychloroprene or equivalent elastomer sheathed cord (code 60245 IEC 57)

Install this appliance on a level surface ensuring all vents are unobstructed. Any partitions, walls or furniture must be of non-combustible material. Minimum distances A 100mm B 500mm – see Fig 1.

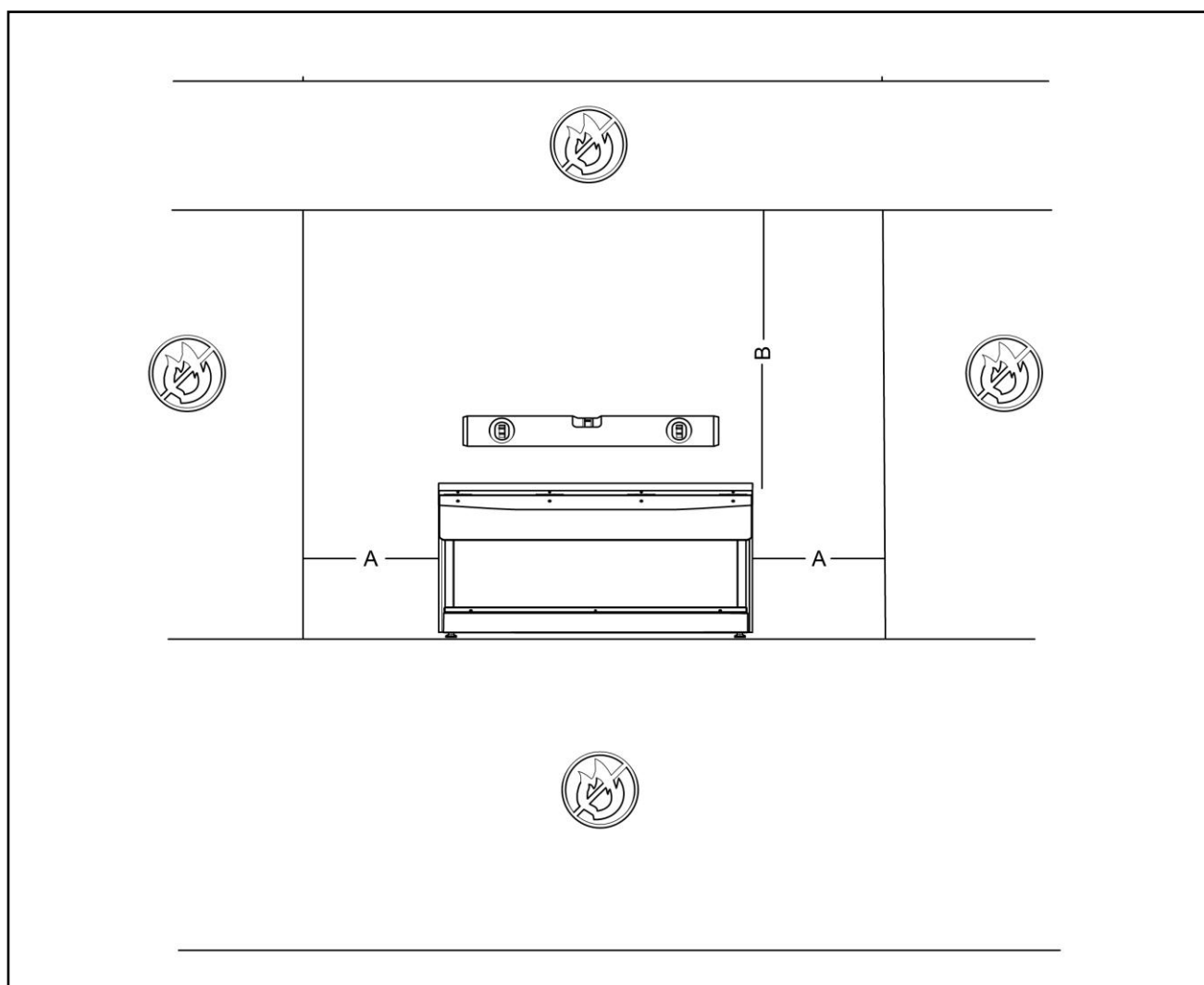


Fig 1

Do not remove the feet otherwise the appliance will overheat.

Power Ratings

Model	kW	Amps
HB1	0.5	2.2
HB2	1.0	4.3
HB3	1.4	6.1
HB4	1.75	7.6
LD2	1.5	6.5
LD3	2.4	10.4
LD4	2.75	12.0

For LD models, attach the glass sneeze screen to the appliance. To avoid damaging the glass, it is important to assemble the fixings in the order shown in Fig 2. Use a second person to support the glass during assembly.

Place the glass behind the metal cover and align the holes.

Push the bolt (A) through from the outside. Push the nylon sleeve (B) over the bolt from the inside. Place on the washer (C) and fit the locknut (D). Do not over-tighten.

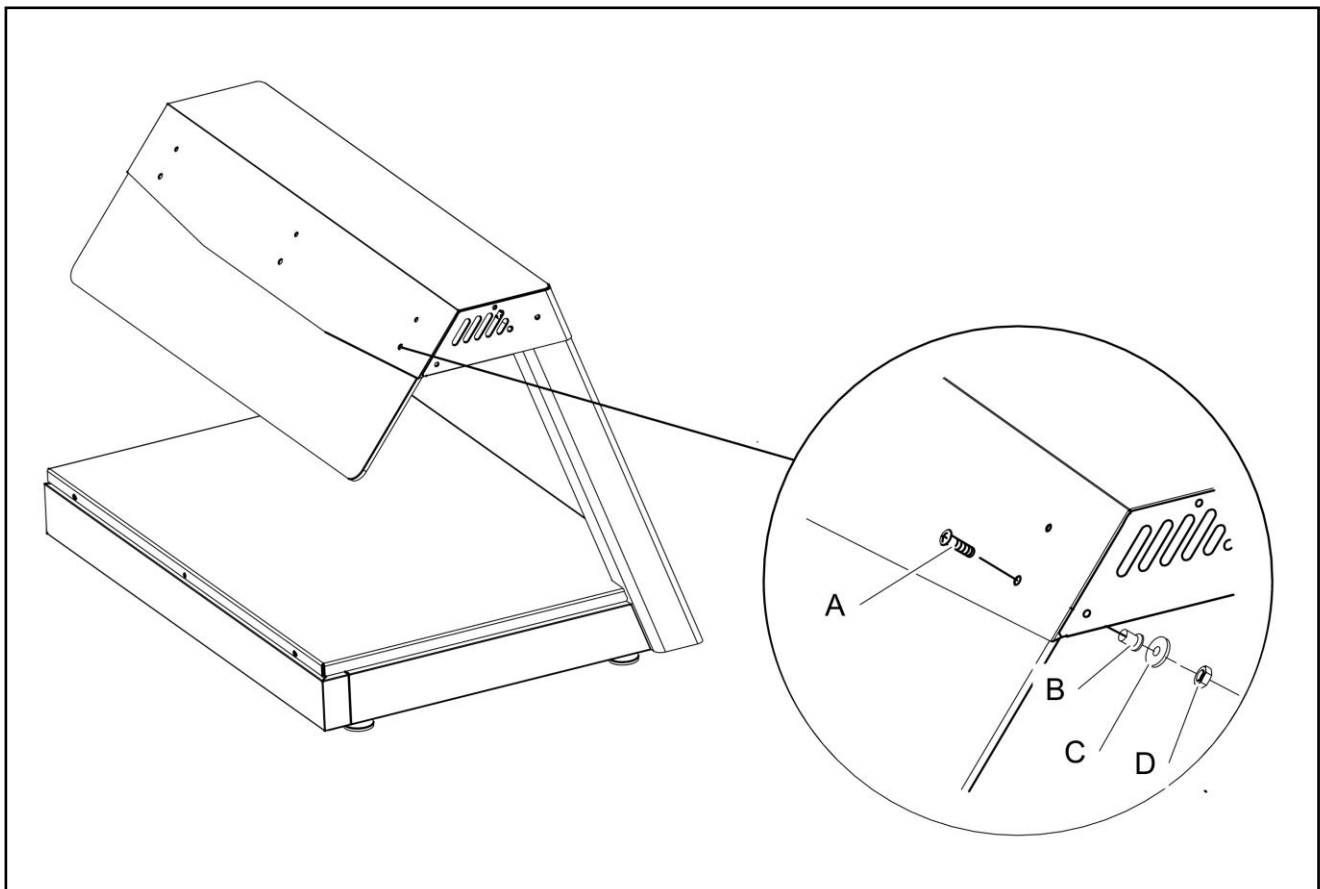


Fig 2

OPERATING INSTRUCTIONS

Only qualified or trained personnel should use this appliance.

Consulting Fig 3(LD model shown), connect the appliance to the electrical supply and switch on (B).

Turn the control knob (A) to the desired setting and wait 20 minutes for the appliance to heat up.

Place the containers with hot food on the hob surface and switch on the infrared lamps (C).

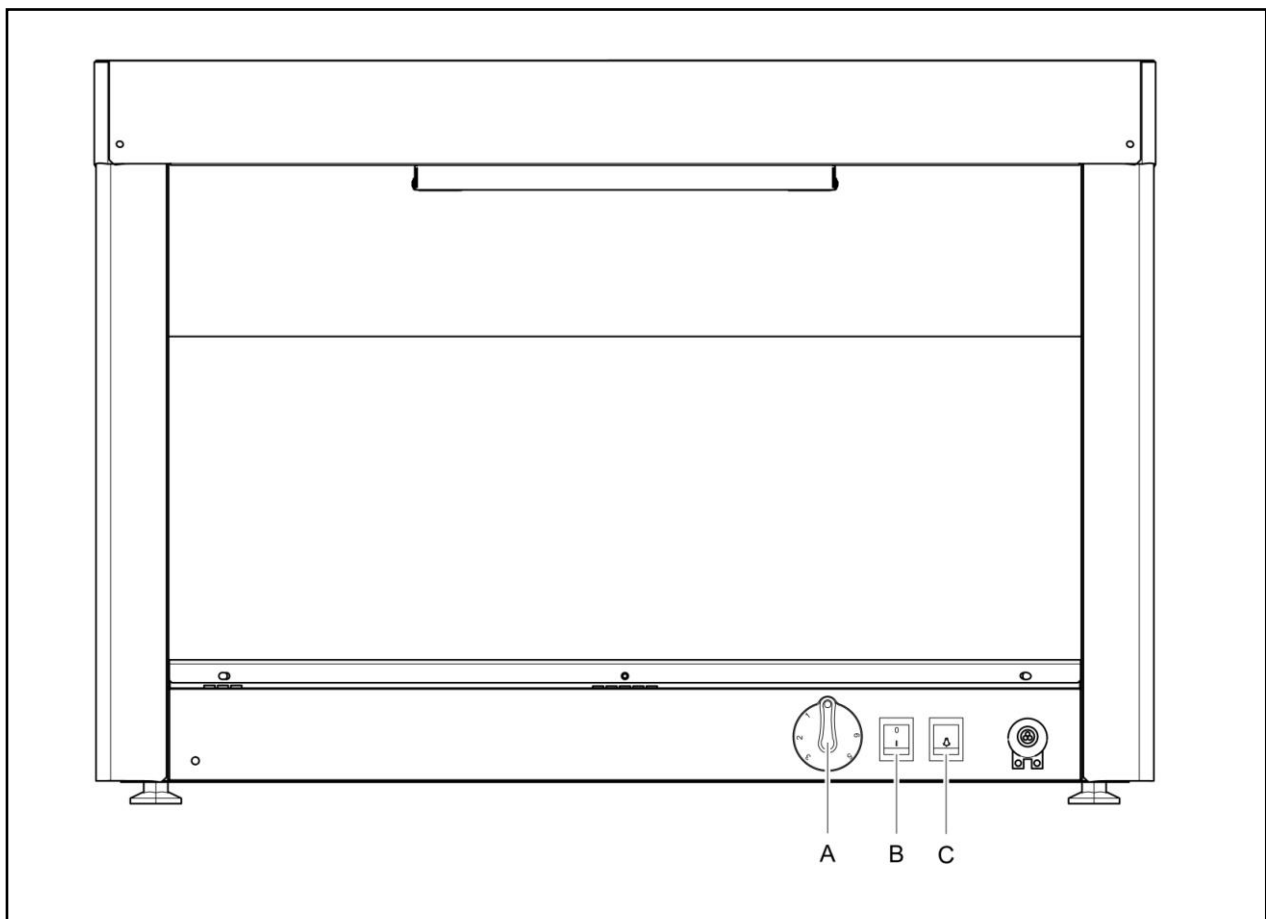


Fig 3

CLEANING



Do not use a water jet or steam cleaner, and do not immerse this appliance.

Clean all panels with warm water and mild detergent, do not use abrasive materials. Dry with a soft cloth.

SERVICING, MAINTENANCE AND COMPONENT REPLACEMENT

The infrared lamps on LD models are replaceable. Disconnect the appliance from the supply and allow to cool.

The bulb holders are sprung loaded - carefully push old lamp against either end terminal until the opposite end is free.

Remove lamp and reverse procedure to insert replacement. Handle the replacement lamp by the ceramic end caps and avoid touching the glass.

All other servicing, maintenance and component replacement on this appliance should be carried out by one of our recommended service engineers.

FAULT FINDING

Please refer to the Service Help Desk number on the final page of this manual.

SPARE PARTS LIST

Part Number	Description	Used on
EL134	Element	HB4, LD4
EL135	Element	HB3, LD3
EL136	Element	HB2, LD2
EL214	Element	HB1
FE10	Foot	All
GL492	Glass screen	LD2
GL493	Glass screen	LD3
GL494	Glass screen	LD4
KN203	Control knob	All
LA210	Infrared lamp	LD Models
LA211	Lamp holder	LD models
PL202	Plug and lead	All
SW69	On/Off switch	All
SW70	Light switch	LD models
TH69	Thermostat	All

ACCESSORIES

Part Number	Description	Used on
HBBM2	Bain marie adaptor including GN dishes and lids	HB2
HBBM3		HB3
HBBM4		HB4
LDBM2		LD2
LDBM3		LD3
LDBM4		LD4

SERVICE INFORMATION

For help with the installation, maintenance and use of your **Lincat** equipment, please contact our service department:

☎ UK: 01522 875520

For non-UK customers, please contact your local Lincat dealer

All service work, other than routine cleaning should be carried out by one of our authorised service agents. We cannot accept responsibility for work carried out by other persons.

To ensure your service enquiry is handled as efficiently as possible, please tell us:

- Brief details of the problem
 - Product code
 - Type number
 - Serial number
- } All available on serial plate

Lincat reserve the right to carry out any work under warranty, given reasonable access to the appliance, during normal working hours, Monday to Friday, 08:30 to 17:00.

GUARANTEE

This unit carries a comprehensive UK mainland 2 year warranty. The guarantee is in addition to, and does not diminish your statutory or legal rights.

The guarantee does not cover:

- Accidental damage, misuse or use not in accordance with the manufacturer's instructions
- Consumable items (such as filters, glass, bulbs, slot toaster elements and door seals.)
- Damage due to incorrect installation, modification, unauthorised service work or damage due to scale, food debris build-up, etc.

The manufacturer disclaims any liability for incidental, or consequential damages. Attendance is based on reasonable access to the appliance to allow the authorised technician to carry out the warranty work.

Service calls to equipment under warranty will be carried out in accordance with the conditions of sale. Unless otherwise specified, a maximum of 15 minutes of administrative time, not spent directly carrying out servicing work, is provided for within the warranty. Any requirement for staff attending the call to spend greater time than 15 minutes due to administrative requirements, such as on health and safety risk assessments, will be chargeable at the prevailing rate.